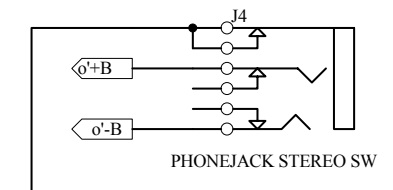
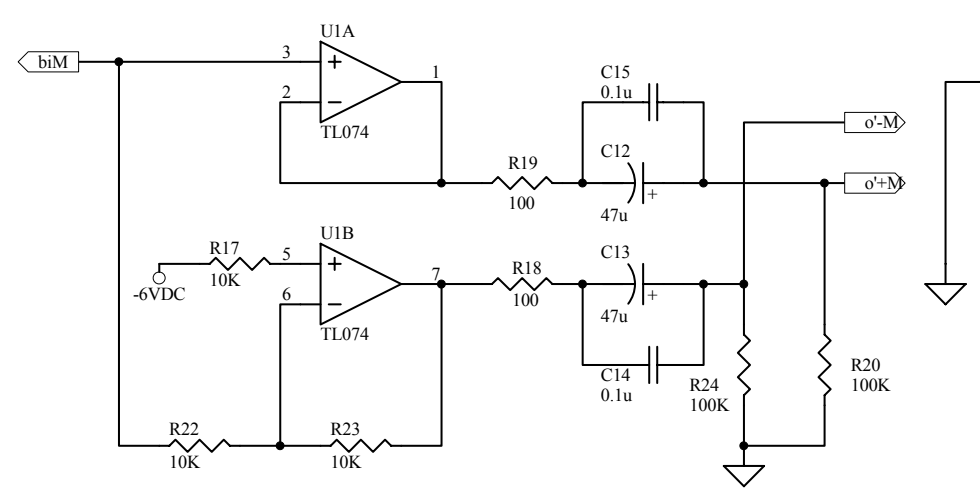
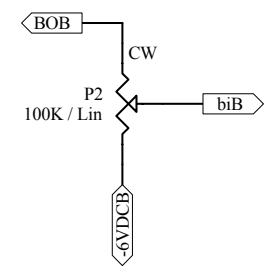
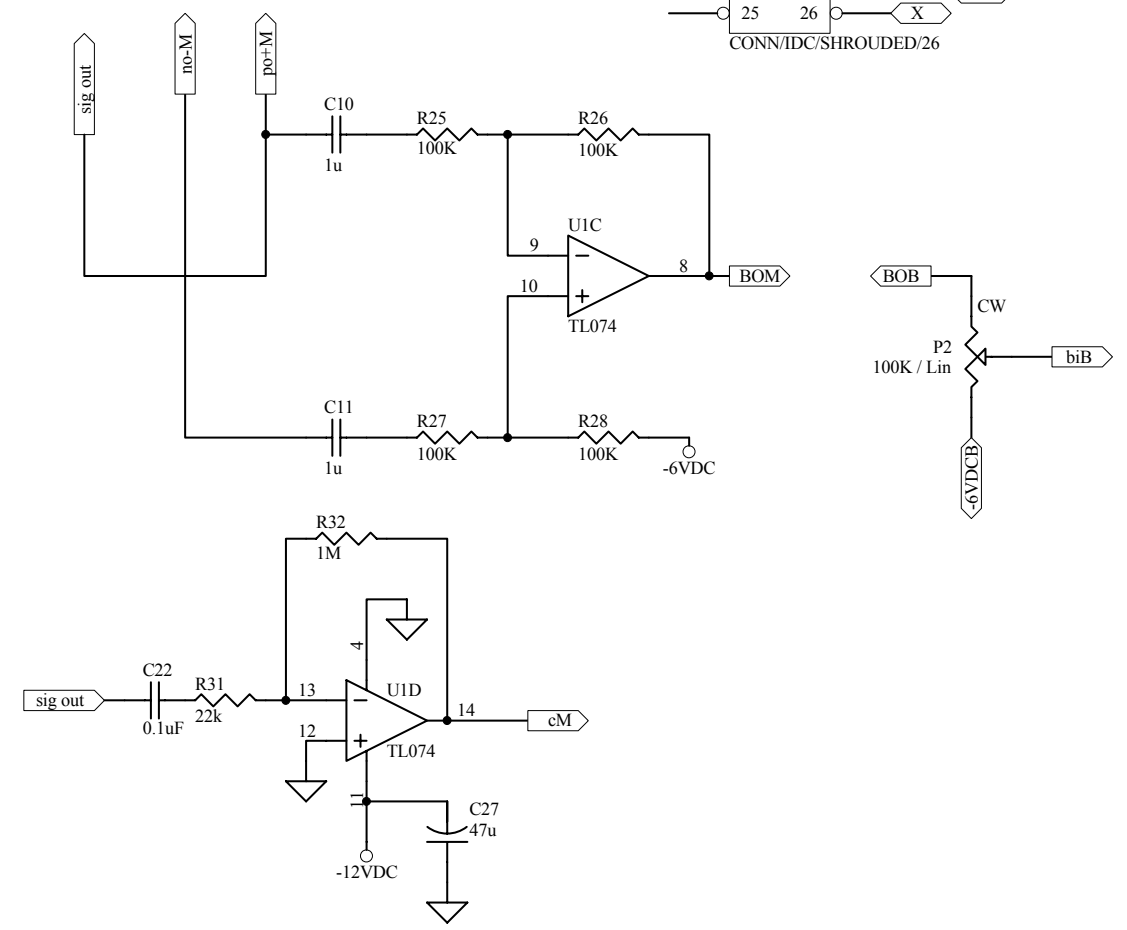
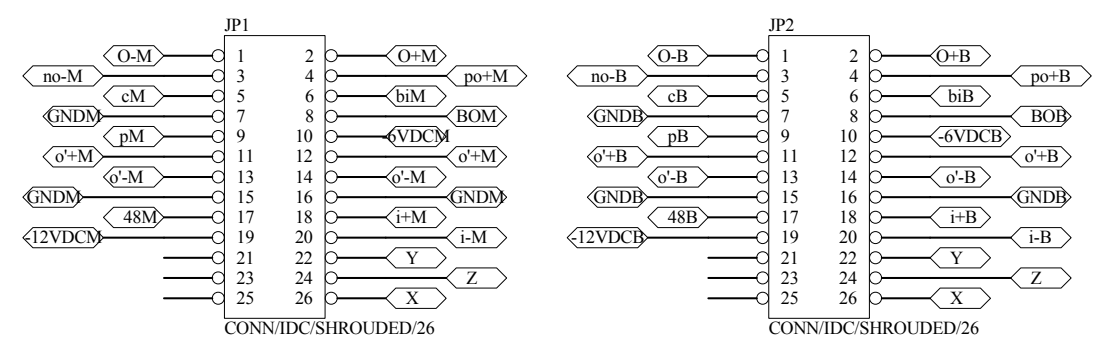
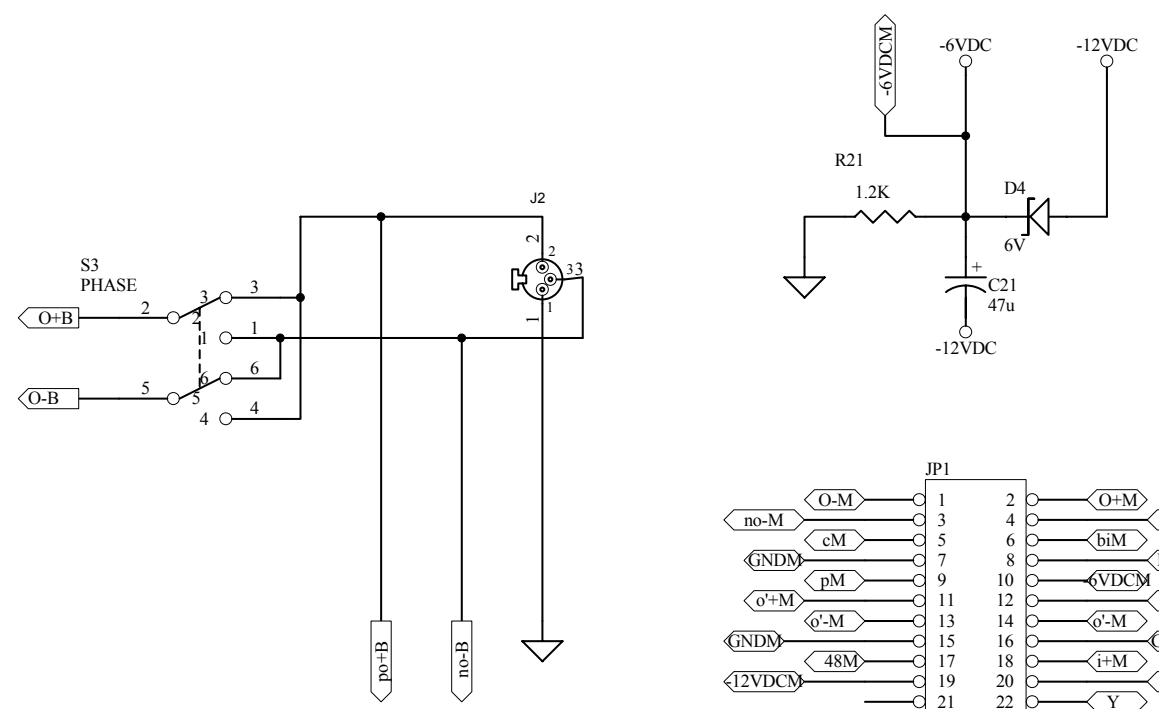


EC-T16rB_pg2
EC-T16rB_pg2.Sch

EC-T16rB_pg3
EC-T16rB_pg3.Sch

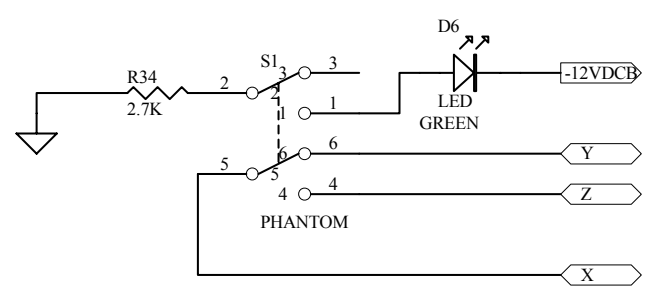
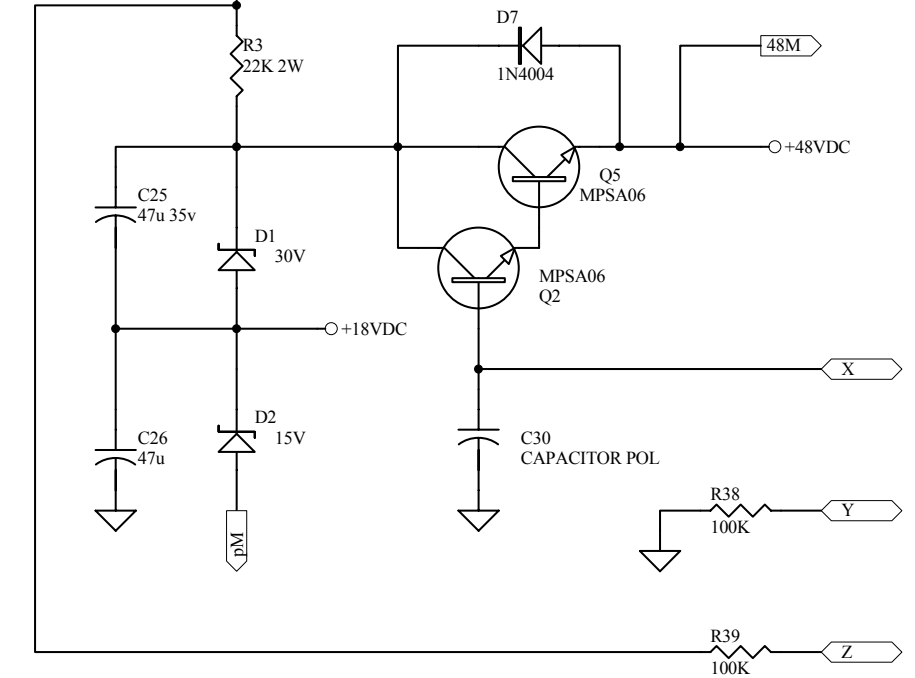
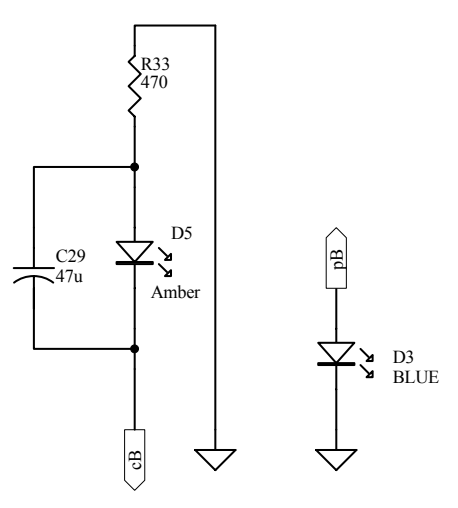
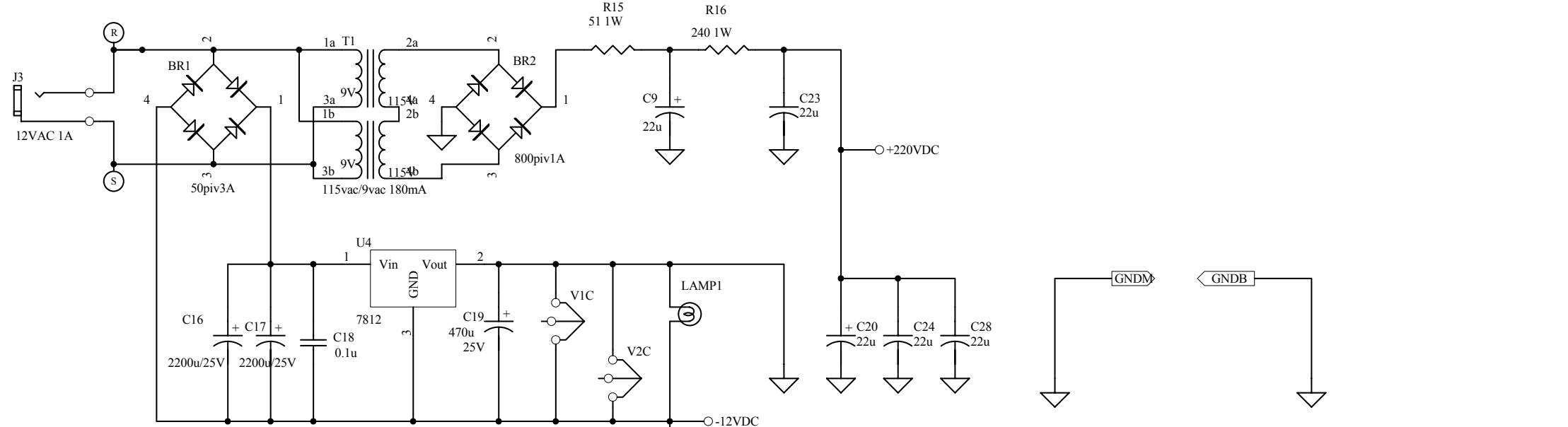
COPYRIGHT 2004 NEW SENSOR CORP.
32-33 47TH AVE.
LONG ISLAND CITY, NY 11101

Title 12AY7 MIC PRE		
Size B	Number EC-T16	Revision B
Date: 25-Jun-2009	Sheet 1 of 3	
File: C:\Documents and Settings\jhp\My Documents\Projects\EC-T16\EC-T16.ddb		



COPYRIGHT 2004 NEW SENSOR CORP.
32-33 47TH AVE.
LONG ISLAND CITY, NY 11101

Title 12AY7 MIC PRE		
Size B	Number EC-T16	Revision B
Date: 25-Jun-2009	Sheet 2 of 3	
File: C:\Documents and Settings\jhp\My Documents\Projects\EC-T16\12AY7 MIC PRE.ddb		



COPYRIGHT 2004 NEW SENSOR CORP.
32-33 47TH AVE.
LONG ISLAND CITY, NY 11101

Title 12AY7 MIC PRE		
Size B	Number EC-T16	Revision B
Date: 25-Jun-2009	Sheet 3 of 3	
File: C:\Documents and Settings\jhp\My Documents\Projects\EC-T16\EC-T16.ddb		