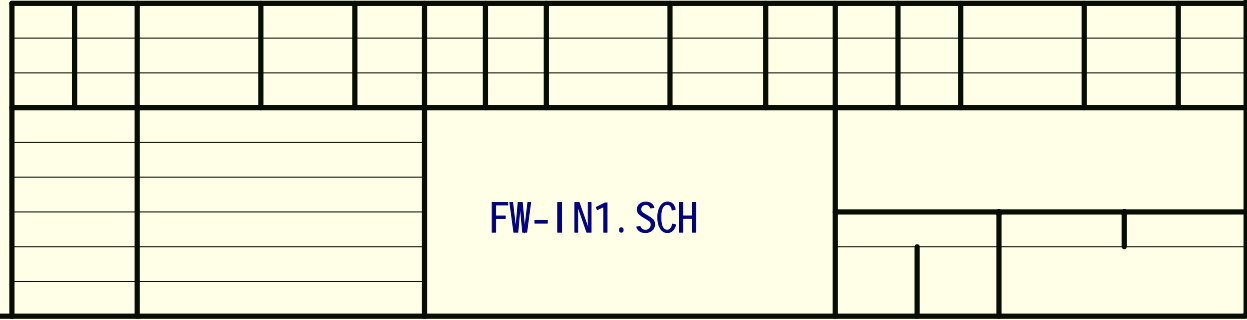
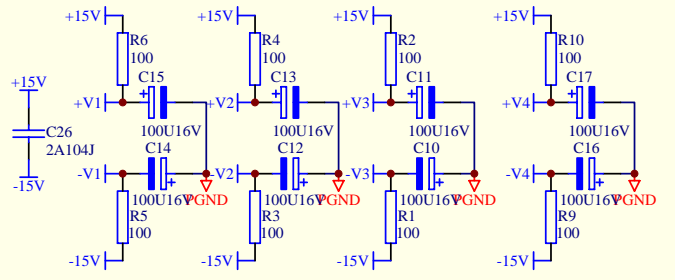
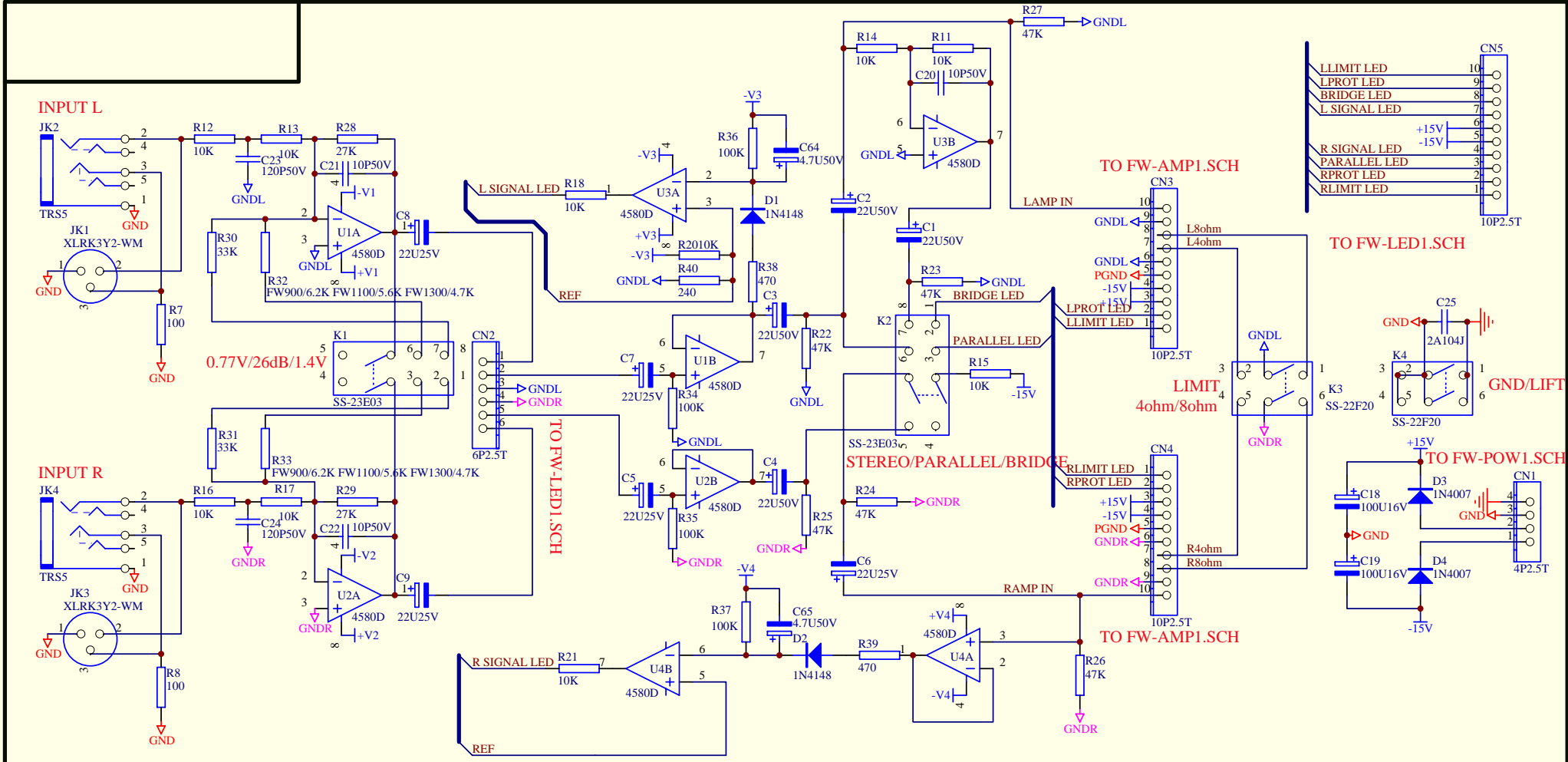


FW-AMP1.SCH





TO FW-STW1.PCB P2&P4

BT-FW1300:3600W  
BT-FW1100:3100W  
BT-FW900:2500W

TO FW-IN1.SCH



TO FW-IN1.SCH



TO FW-IN1.SCH



TO FW-IN1.SCH



TO FW-IN1.SCH



TO FW-IN1.SCH



TO FW-IN1.SCH



TO FW-IN1.SCH



TO FW-IN1.SCH



TO FW-IN1.SCH



TO FW-IN1.SCH



TO FW-IN1.SCH



TO FW-IN1.SCH



TO FW-IN1.SCH



TO FW-IN1.SCH



TO FW-IN1.SCH



TO FW-IN1.SCH



TO FW-IN1.SCH



TO FW-IN1.SCH



TO FW-IN1.SCH



TO FW-IN1.SCH



TO FW-IN1.SCH



TO FW-IN1.SCH



TO FW-IN1.SCH



TO FW-IN1.SCH



TO FW-IN1.SCH



TO FW-IN1.SCH



TO FW-IN1.SCH



TO FW-IN1.SCH



TO FW-IN1.SCH



TO FW-IN1.SCH



TO FW-IN1.SCH



TO FW-IN1.SCH



TO FW-IN1.SCH



TO FW-IN1.SCH



TO FW-IN1.SCH



TO FW-IN1.SCH



TO FW-IN1.SCH



TO FW-IN1.SCH



TO FW-IN1.SCH



TO FW-IN1.SCH



TO FW-IN1.SCH



TO FW-IN1.SCH



TO FW-IN1.SCH



TO FW-IN1.SCH



TO FW-IN1.SCH



TO FW-IN1.SCH



TO FW-IN1.SCH



TO FW-IN1.SCH



TO FW-IN1.SCH



TO FW-IN1.SCH



TO FW-IN1.SCH



TO FW-IN1.SCH



TO FW-IN1.SCH



TO FW-IN1.SCH



TO FW-IN1.SCH



TO FW-IN1.SCH



TO FW-IN1.SCH



TO FW-IN1.SCH



TO FW-IN1.SCH



TO FW-IN1.SCH



TO FW-IN1.SCH



TO FW-IN1.SCH



TO FW-IN1.SCH



TO FW-IN1.SCH



TO FW-IN1.SCH



TO FW-IN1.SCH



TO FW-IN1.SCH



TO FW-IN1.SCH



TO FW-IN1.SCH



TO FW-IN1.SCH



TO FW-IN1.SCH



TO FW-IN1.SCH



TO FW-IN1.SCH



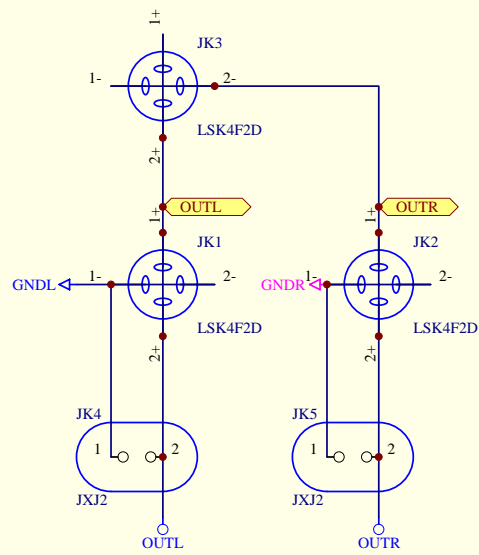
TO FW-IN1.SCH



TO FW-IN1.SCH

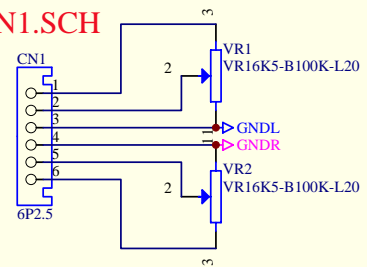


### BRIDGE OUT

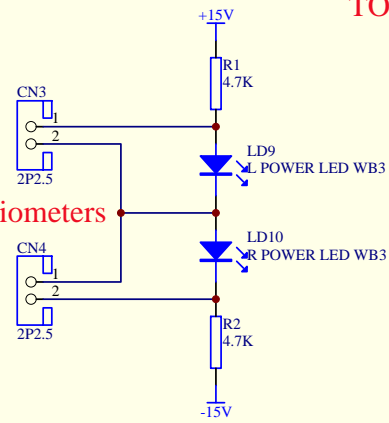


FW-OUT1. SCH

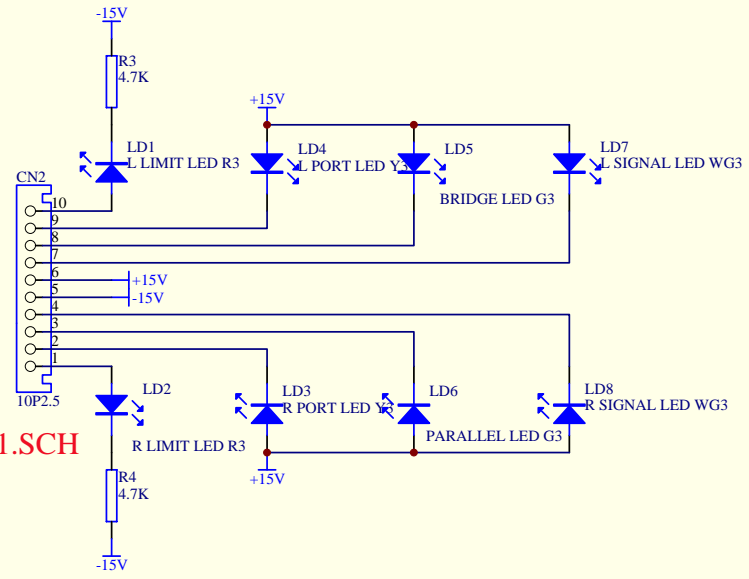
TO FW-IN1.SCH



TO Potentiometers



TO FW-IN1.SCH



FW-LED1.SCH