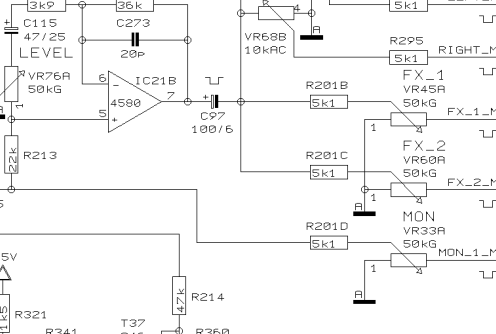
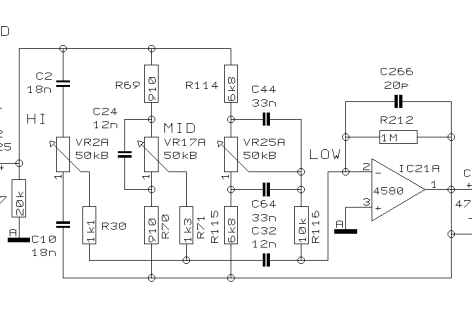
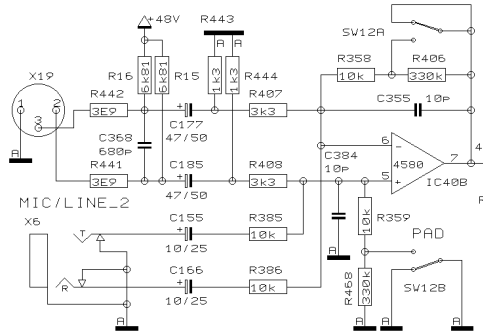
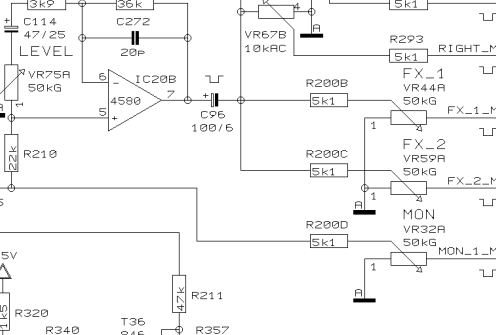
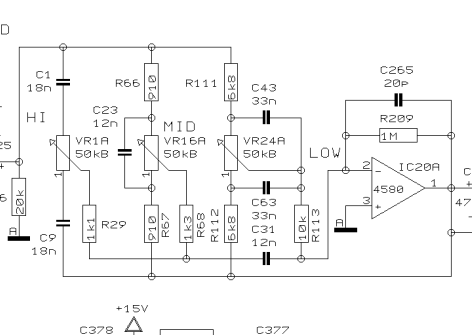
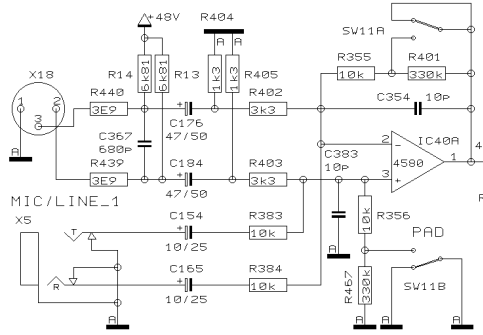


POWER MIXER PMX8805



- 4 VR75B
- 4 VR32B
- 4 VR1B
- 4 VR16B
- 4 VR24B
- 4 VR44B
- 2 VR67C
- 4 VR59B
- 4 VR76B
- 4 VR33B
- 4 VR2B
- 4 VR17B
- 4 VR25B
- 4 VR45B
- 4 VR68C
- 4 VR68B

REVISIONS D (02/12/03)

DRAWN SA

CHECKED

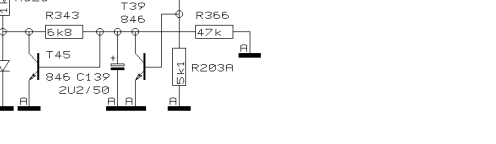
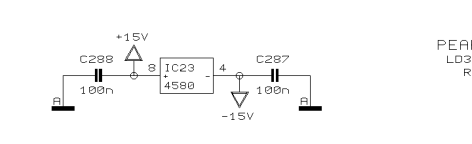
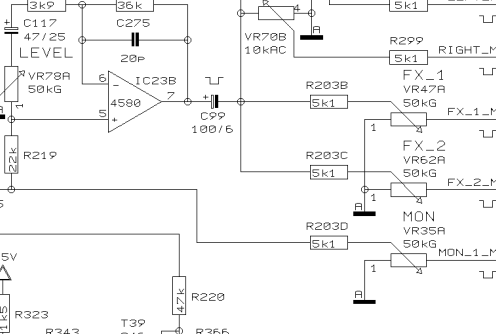
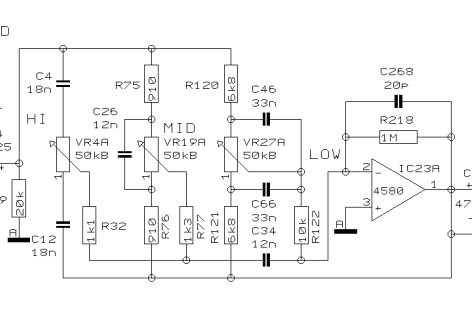
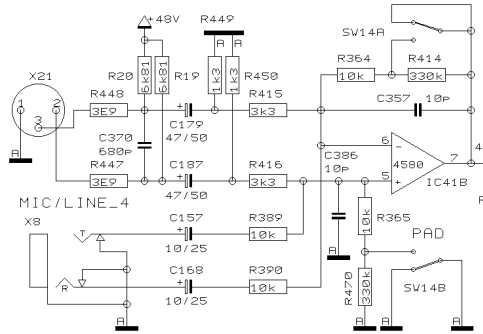
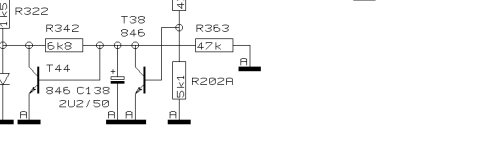
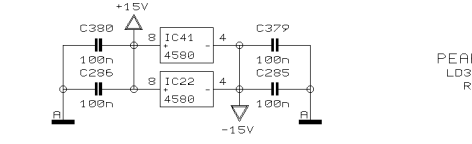
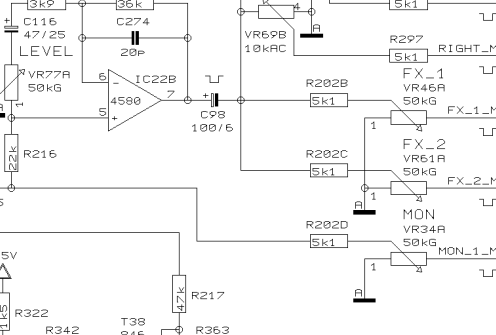
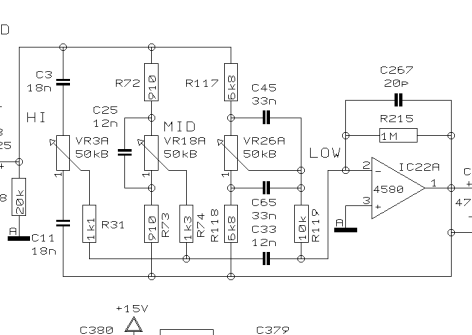
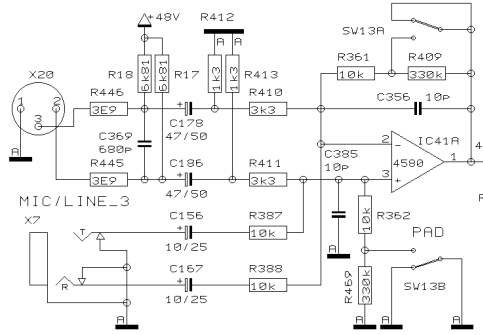
DATE 08.07. 4
13:28



Specialized Studio Equipment

PROJECT
PMX880S
EUROPOWER
MONO CHANNEL 1-2

SHEET 1 OF 9 SHEETS TOTAL



- 4 VR77B
- 4 VR34B
- 4 VR3B
- 4 VR18B
- 4 VR26B
- 4 VR46B
- 2 VR69C
- 4 VR61B

- 4 VR78B
- 4 VR35B
- 4 VR4B
- 4 VR19B
- 4 VR27B
- 4 VR47B
- 4 VR70C
- 4 VR62B

REVISIONS

D

DRAWN SA

CHECKED

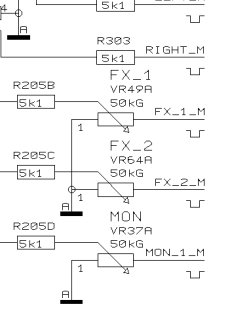
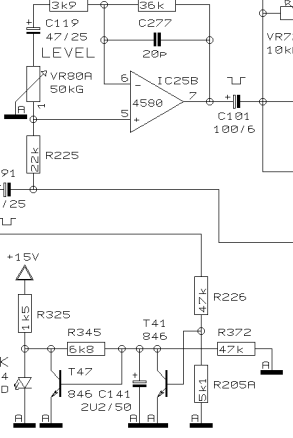
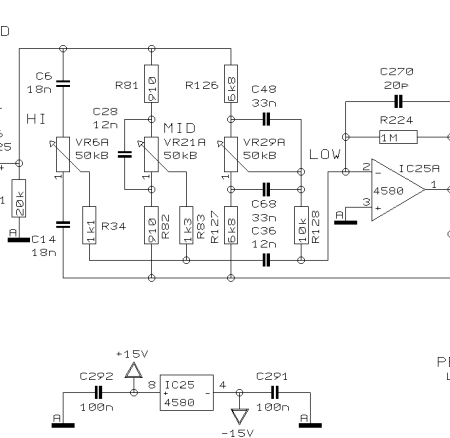
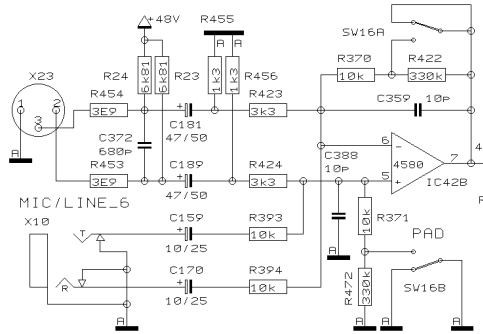
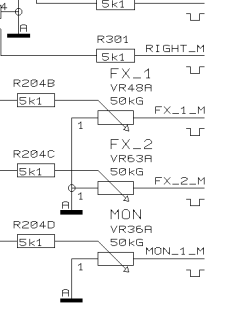
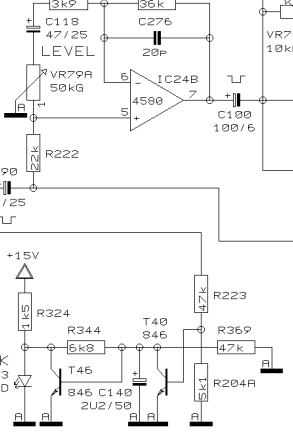
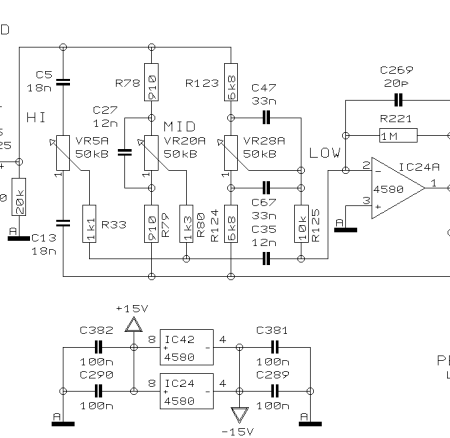
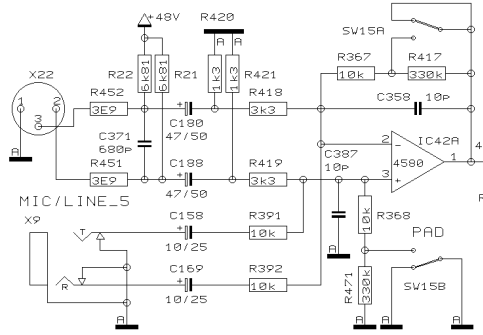
DATE 08.07.4
13:29

BEHRINGER®

Specialized Studio Equipment

PROJECT
PMX880S
EUROPOWER
MONO CHANNEL 3-4

SHEET 2 OF 9 SHEETS TOTAL



- 4 VR79B
- 4 VR36B
- 4 VR5B
- 4 VR20B
- 4 VR29B
- 4 VR49B
- 2 VR71C
- 4 VR63B
- 4 VR80B
- 4 VR37B
- 4 VR6B
- 4 VR21B
- 4 VR29B
- 4 VR49B
- 4 VR72C
- 4 VR64B

REVISIONS

D

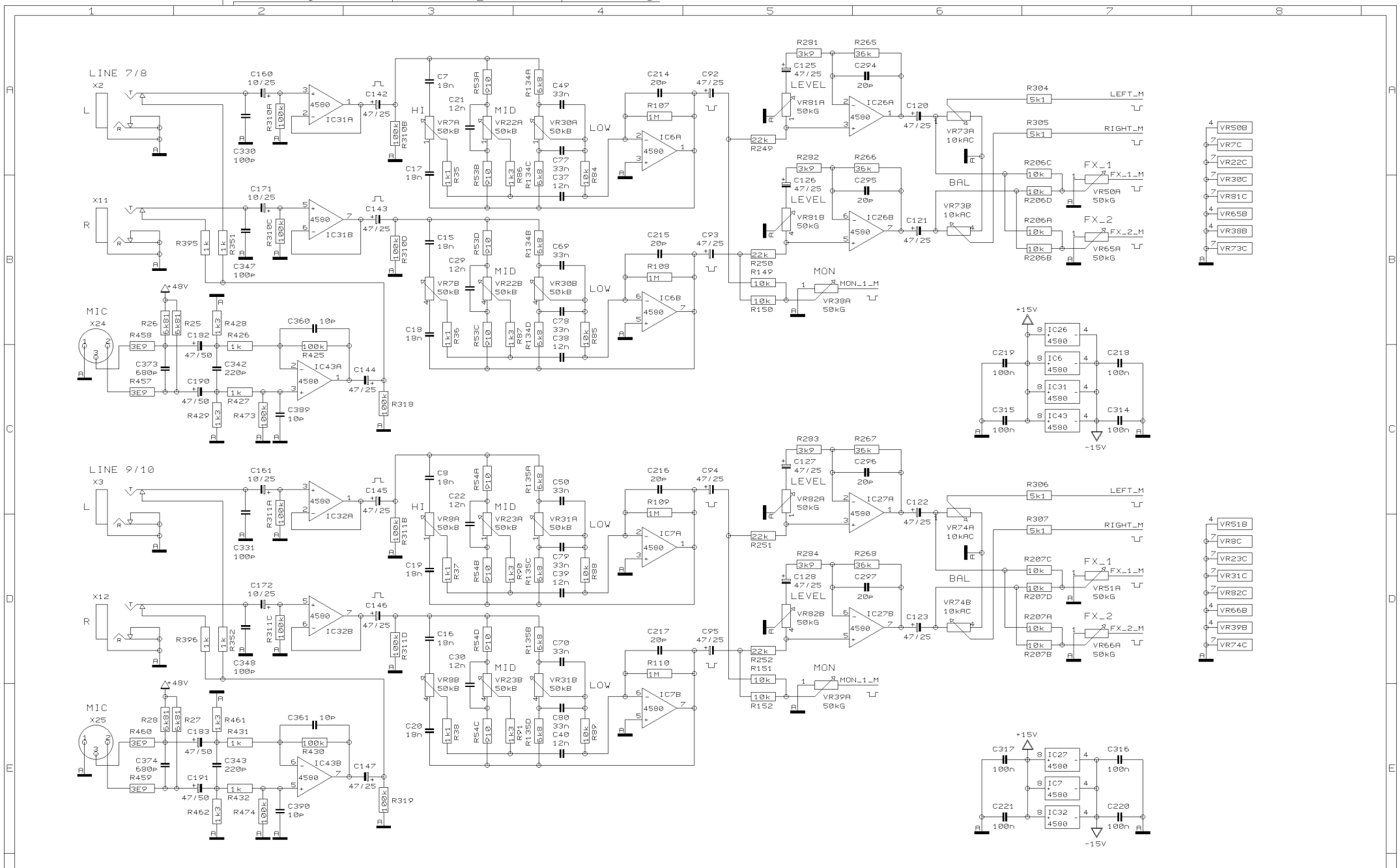
DRAWN SA

CHECKED

DATE 08.07.4
13:29



PROJECT
PMX880S
EUROPOWER
MONO CHANNEL 5-6
SHEET 3 OF 9 SHEETS TOTAL



REVISIONS D

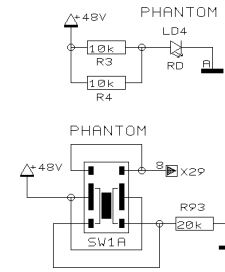
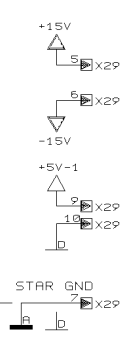
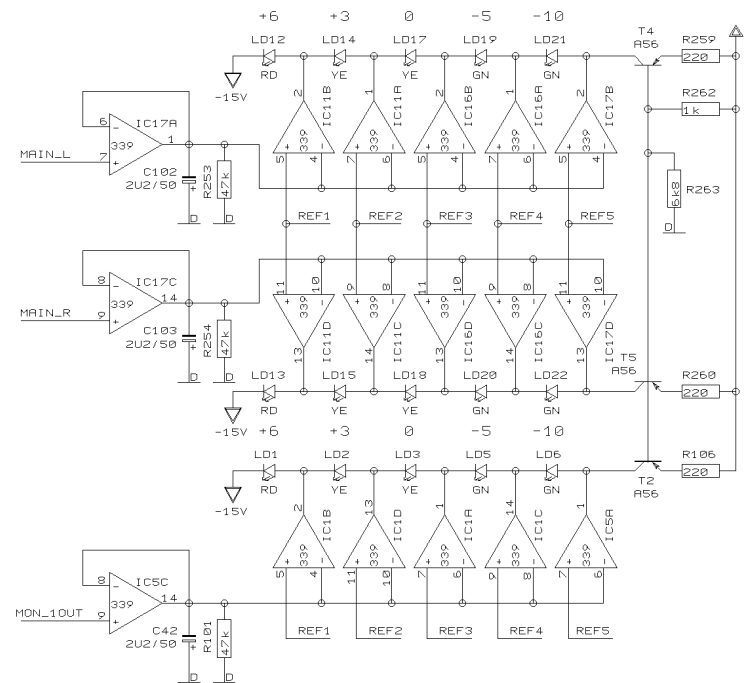
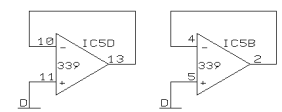
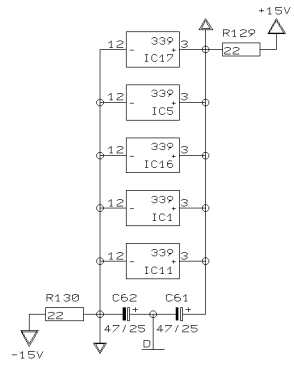
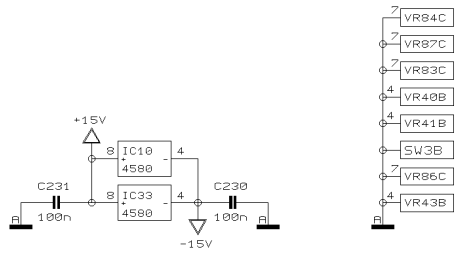
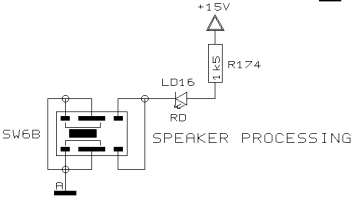
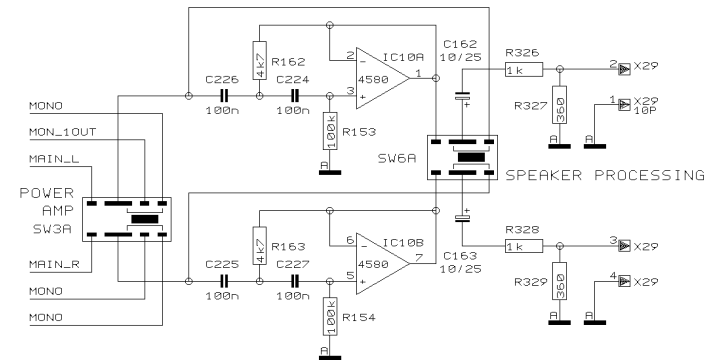
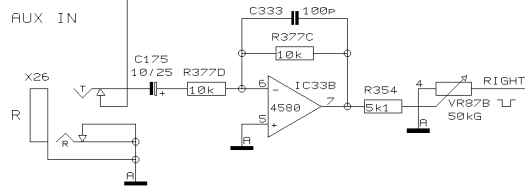
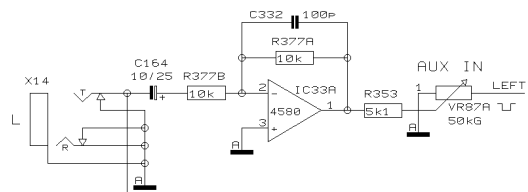
DRAWN SA

CHECKED

DATE 08.07. 4
13:30



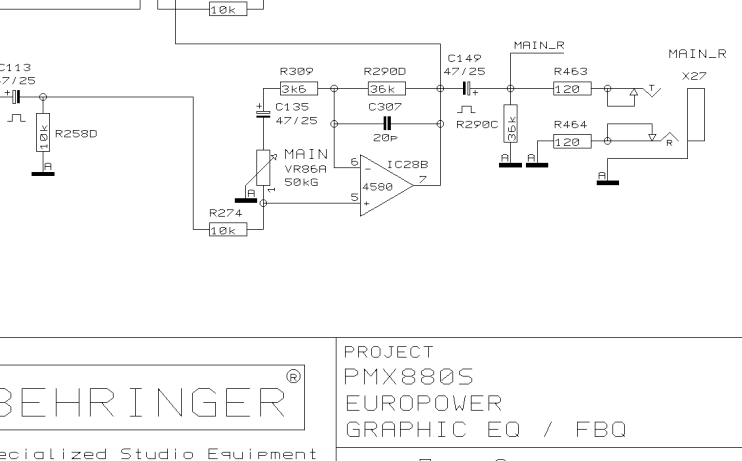
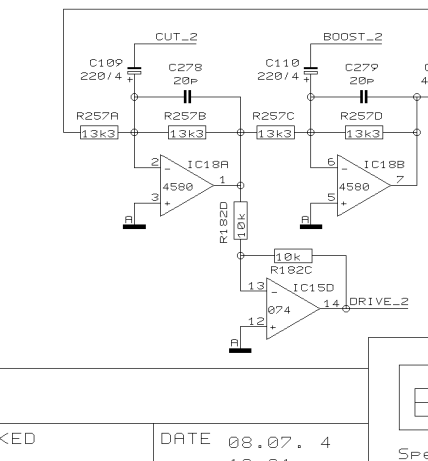
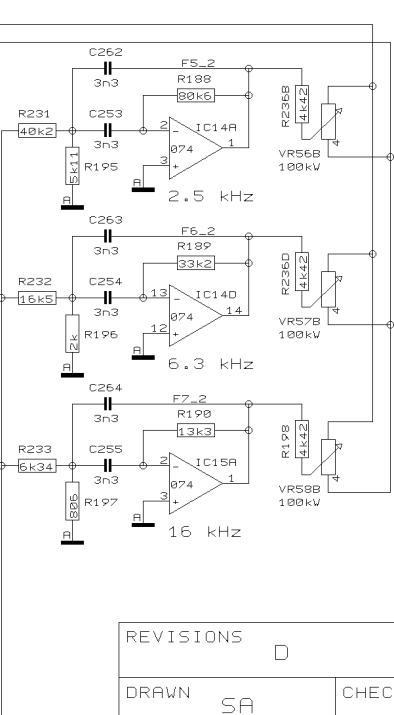
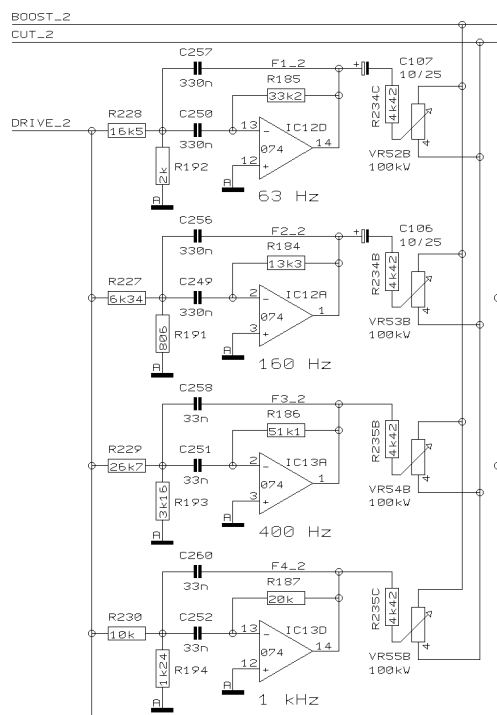
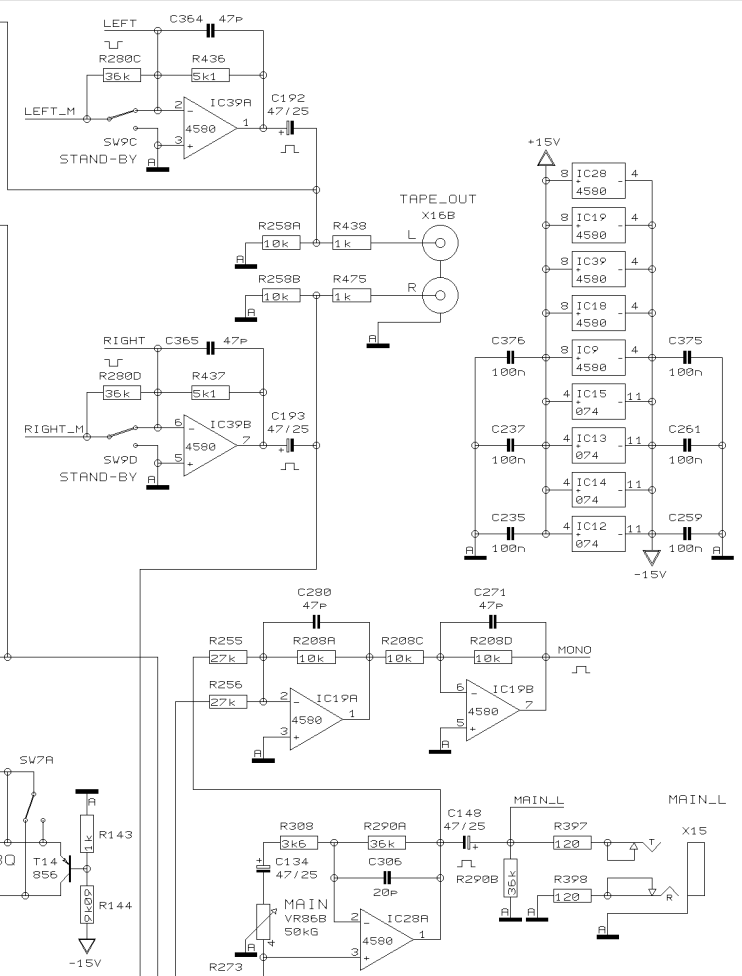
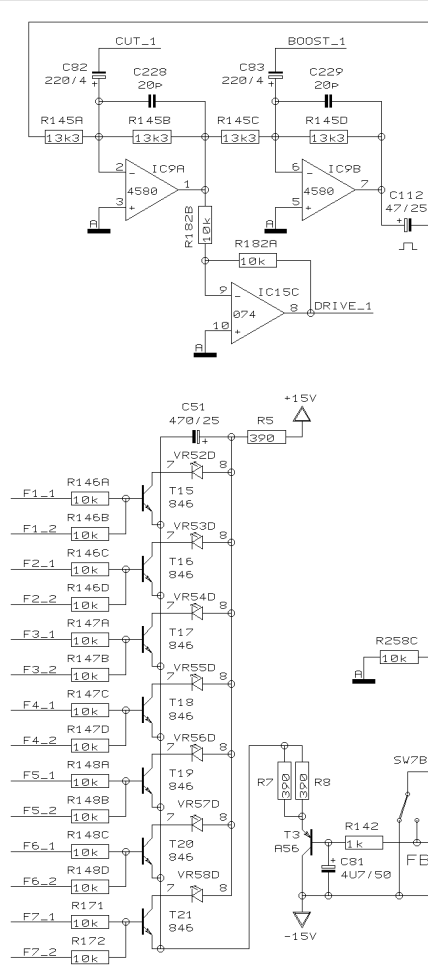
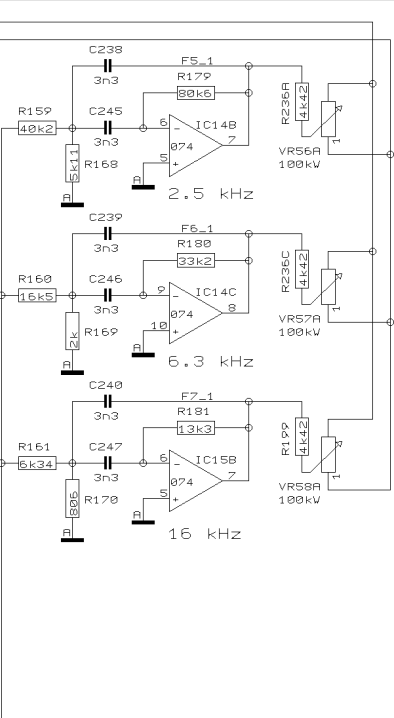
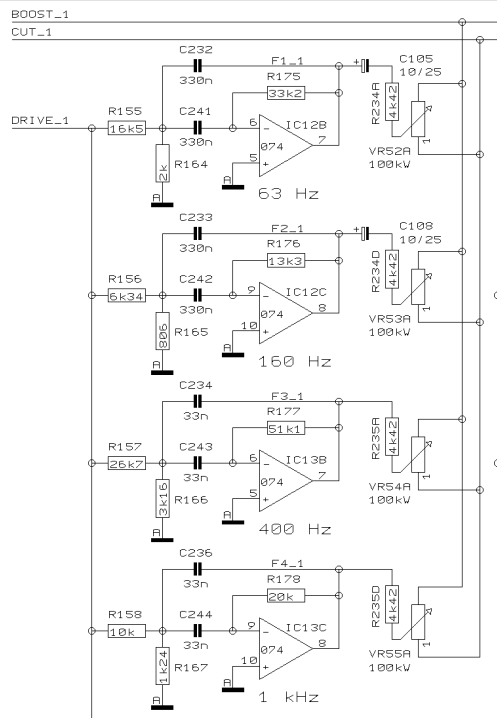
PROJECT
PMX8805
EUROPOWER
STEREO CHANNEL 7/8-9/10
SHEET 4 OF 9 SHEETS TOTAL



REVISIONS	D	
DRAWN	SA	CHECKED
DATE	08.07.4	13:31



PROJECT
PMX880S
EUROPOWER
SPK PROC/VU/OUT/AUX IN
SHEET 6 OF 9 SHEETS TOTAL



REVISIONS
D

DRAWN SA

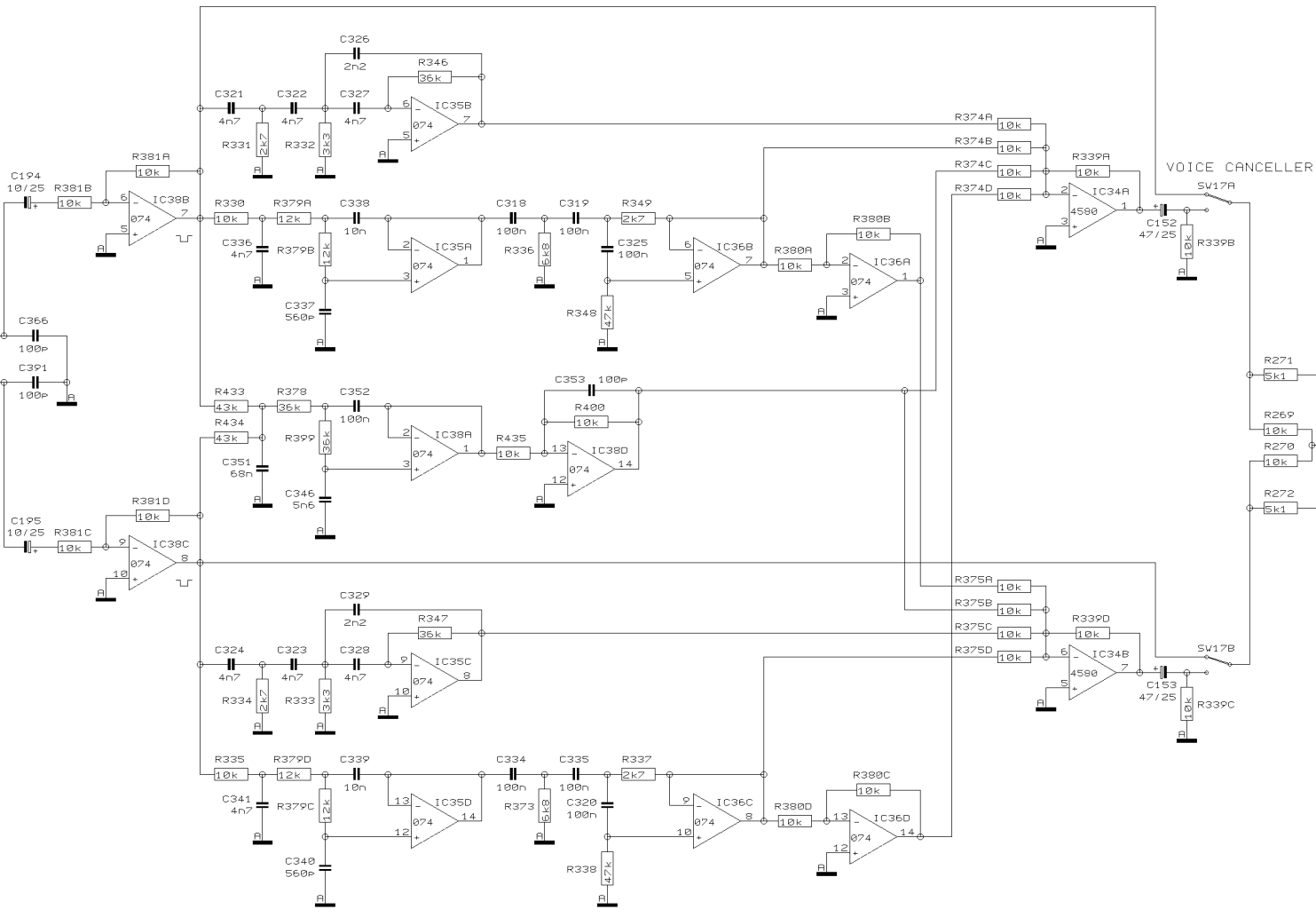
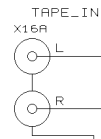
CHECKED

DATE 08.07.4
13:31

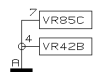
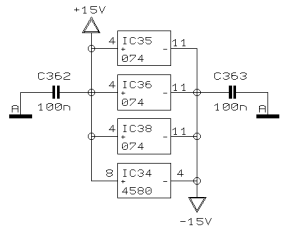
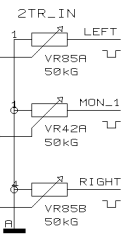
BEHRINGER
Specialized Studio Equipment

PROJECT
PMX8805
EUROPOWER
GRAPHIC EQ / FBO

SHEET 7 OF 9 SHEETS TOTAL



VOICE CANCELLER



REVISIONS D

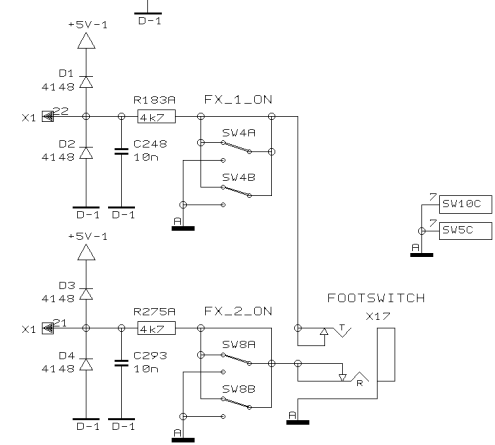
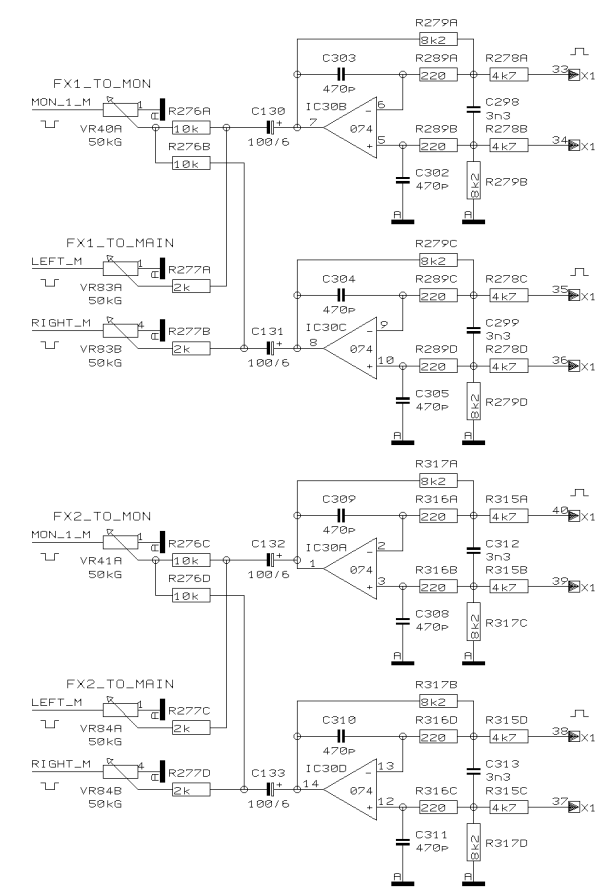
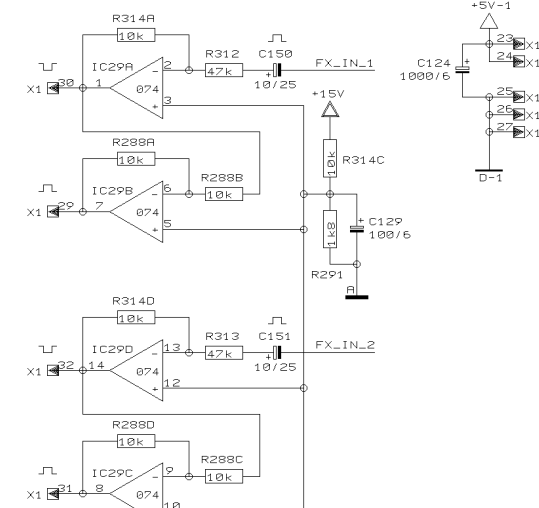
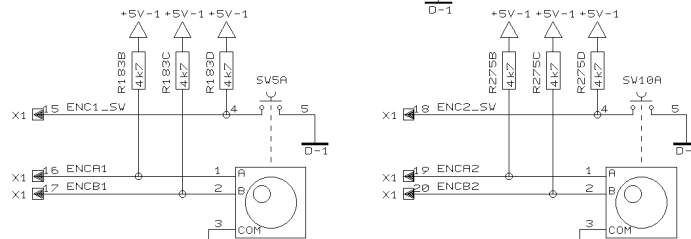
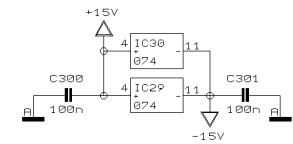
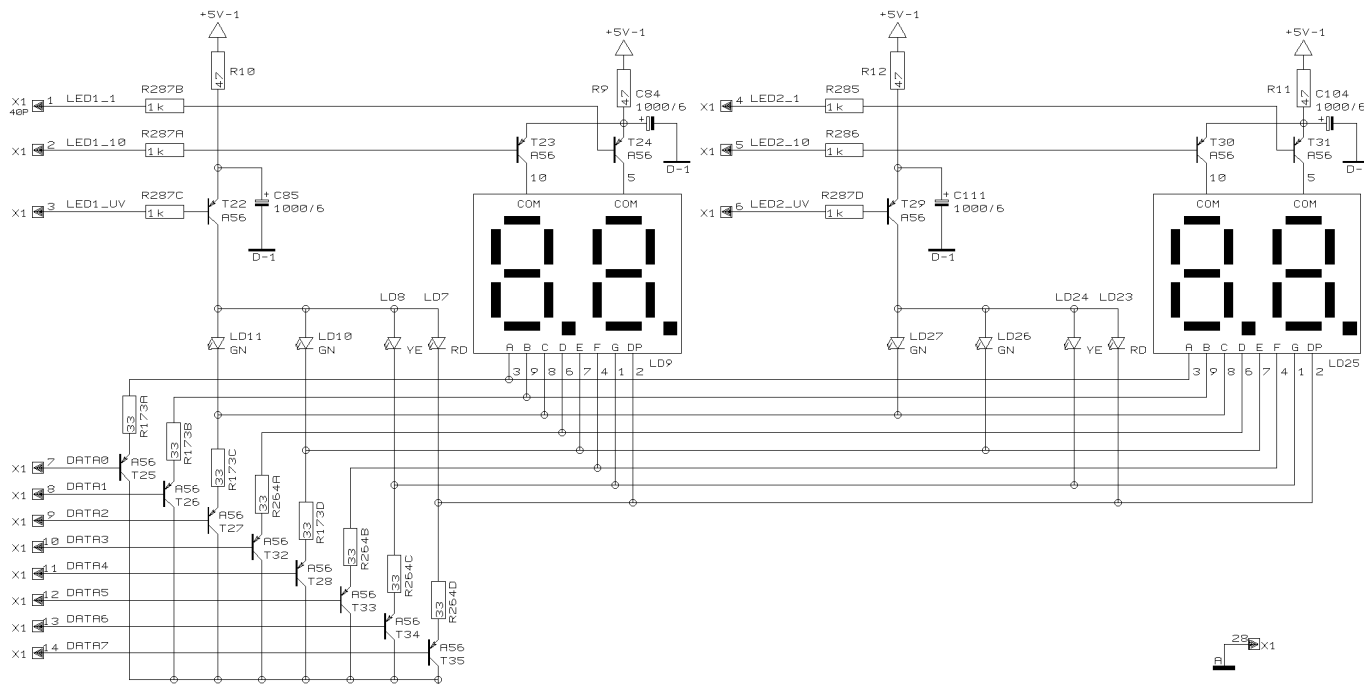
DRAWN SA

CHECKED

DATE 08.07. 4
13:32



PROJECT
PMX880S
EUROPOWER
VOICE CANCELLER
SHEET 8 OF 9 SHEETS TOTAL

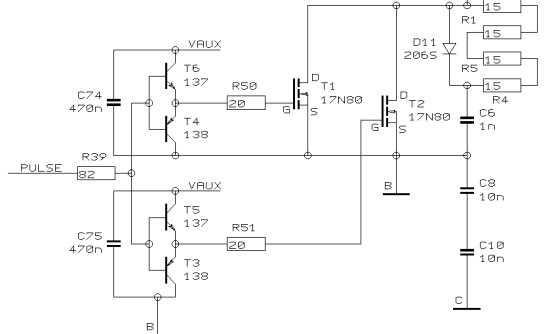
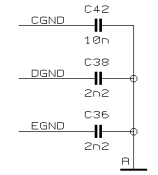
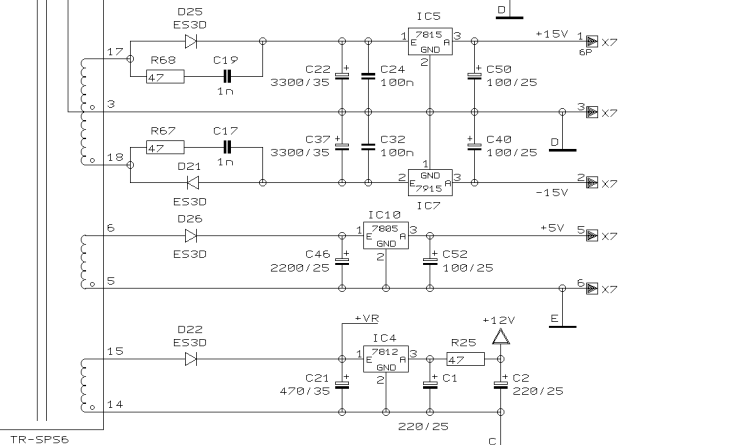
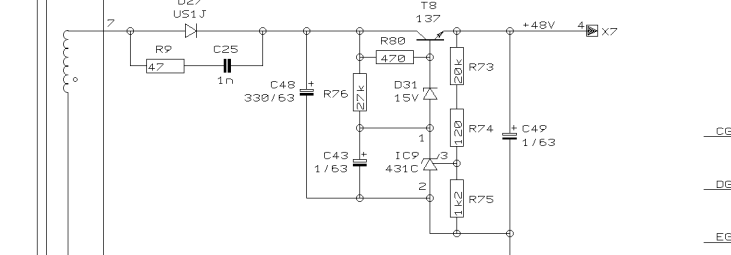
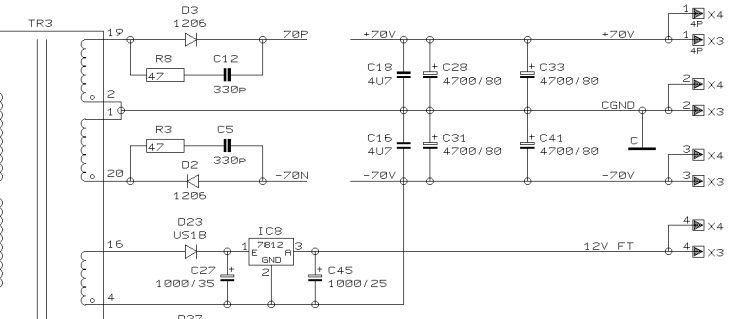
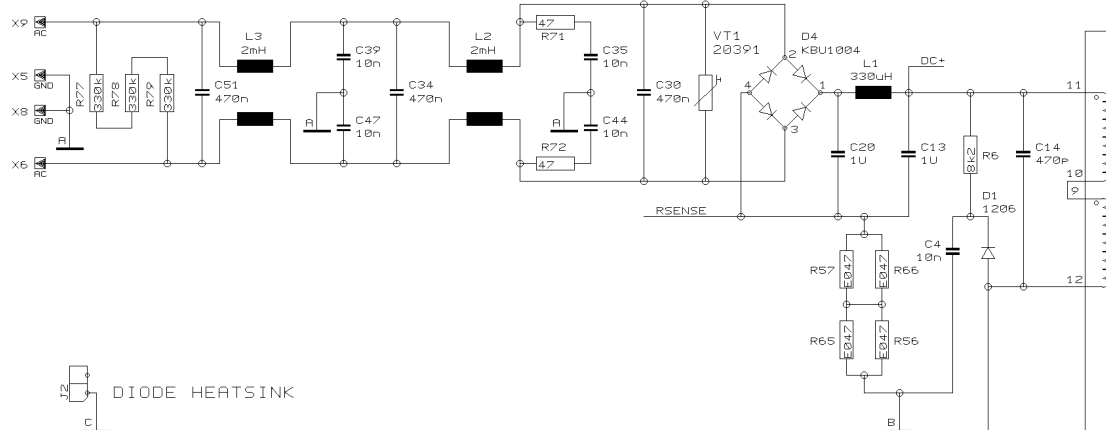


REVISIONS	D	
DRAWN	SA	CHECKED
DATE 08.07. 4		13:32



PROJECT
PMX880S
EUROPOWER
FX SECTION

SHEET 9 OF 9 SHEETS TOTAL



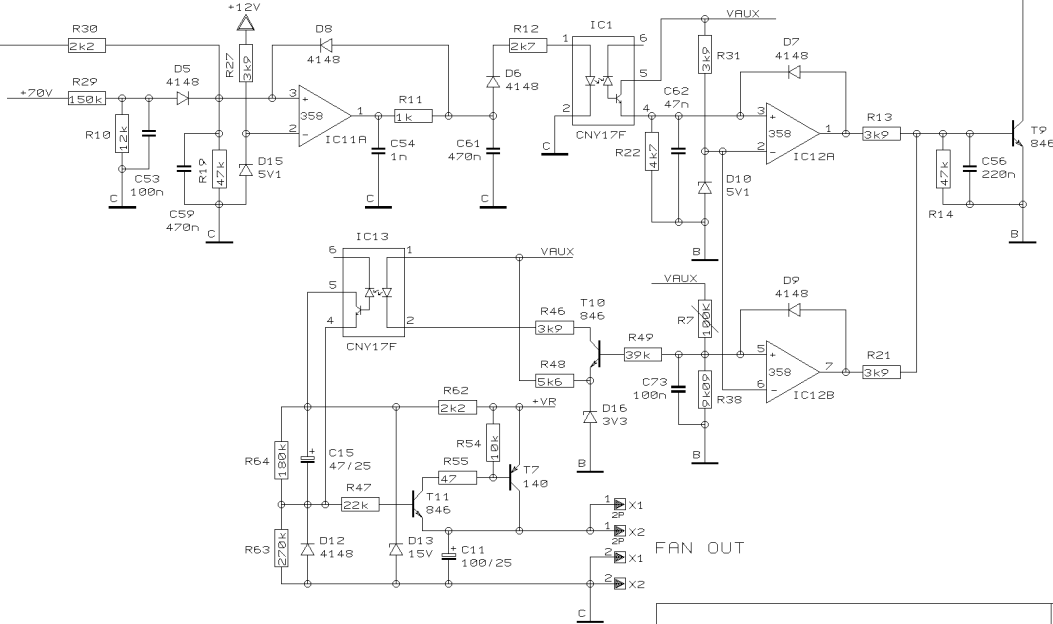
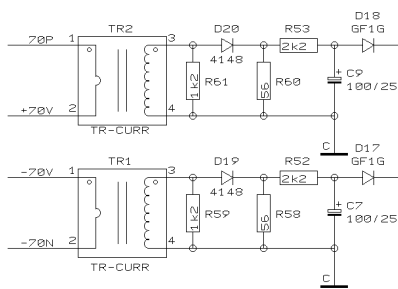
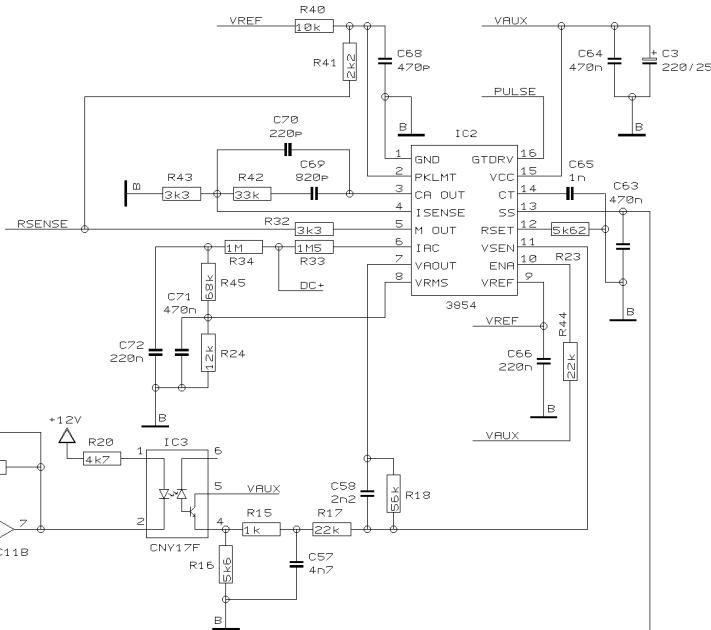
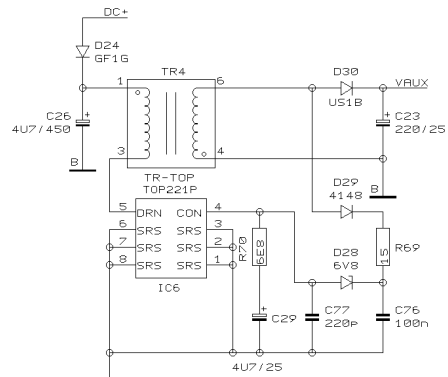
- J2 DIODE HEATSINK
- J3 MOSFET HEATSINK
- J5 -15V REG HEATSINK
- J5 +15V REG HEATSINK
- J8 +48V REG HEATSINK
- J4 FAN REG HEATSINK
- J9 +5V REG HEATSINK
- J7 12V FLOAT REG HEATSINK
- J1 CLAMP DIODE HEATSINK

REVISIONS D (17/12/03)

DRAWN SASA CHECKED DATE 21.12. 4 12:52



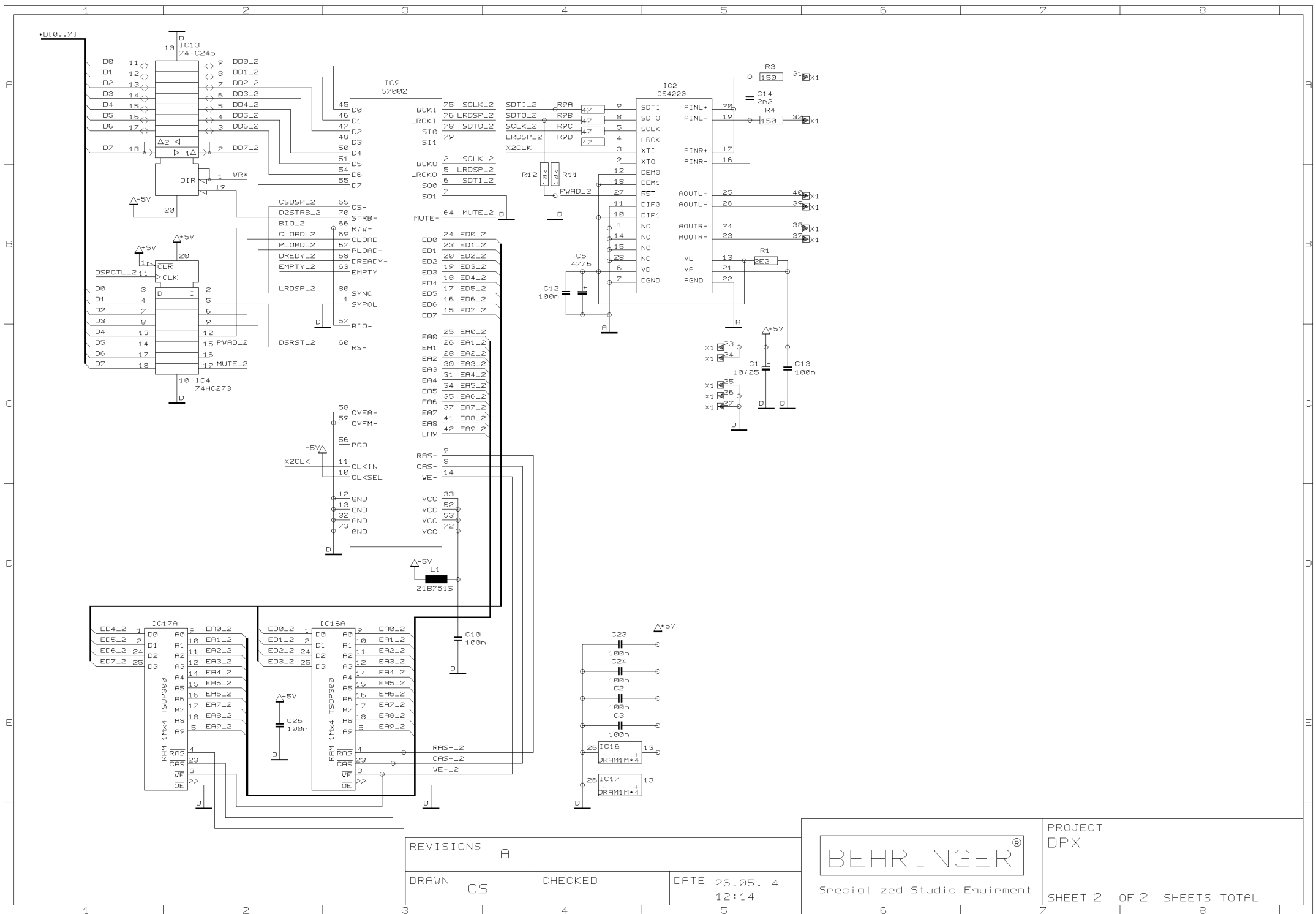
PROJECT SPS600 POWER SUPPLY 600W SCHEMATICS SHEET 1 OF 2 SHEETS TOTAL



REVISIONS	D		
DRAWN	SASA	CHECKED	DATE 21.12. 4 12:52



PROJECT
SPS600
POWER SUPPLY 600W
SCHEMATICS
SHEET 2 OF 2 SHEETS TOTAL



REVISIONS A

DRAWN CS

CHECKED

DATE 26.05. 4
12:14



PROJECT
DPX
SHEET 2 OF 2 SHEETS TOTAL