

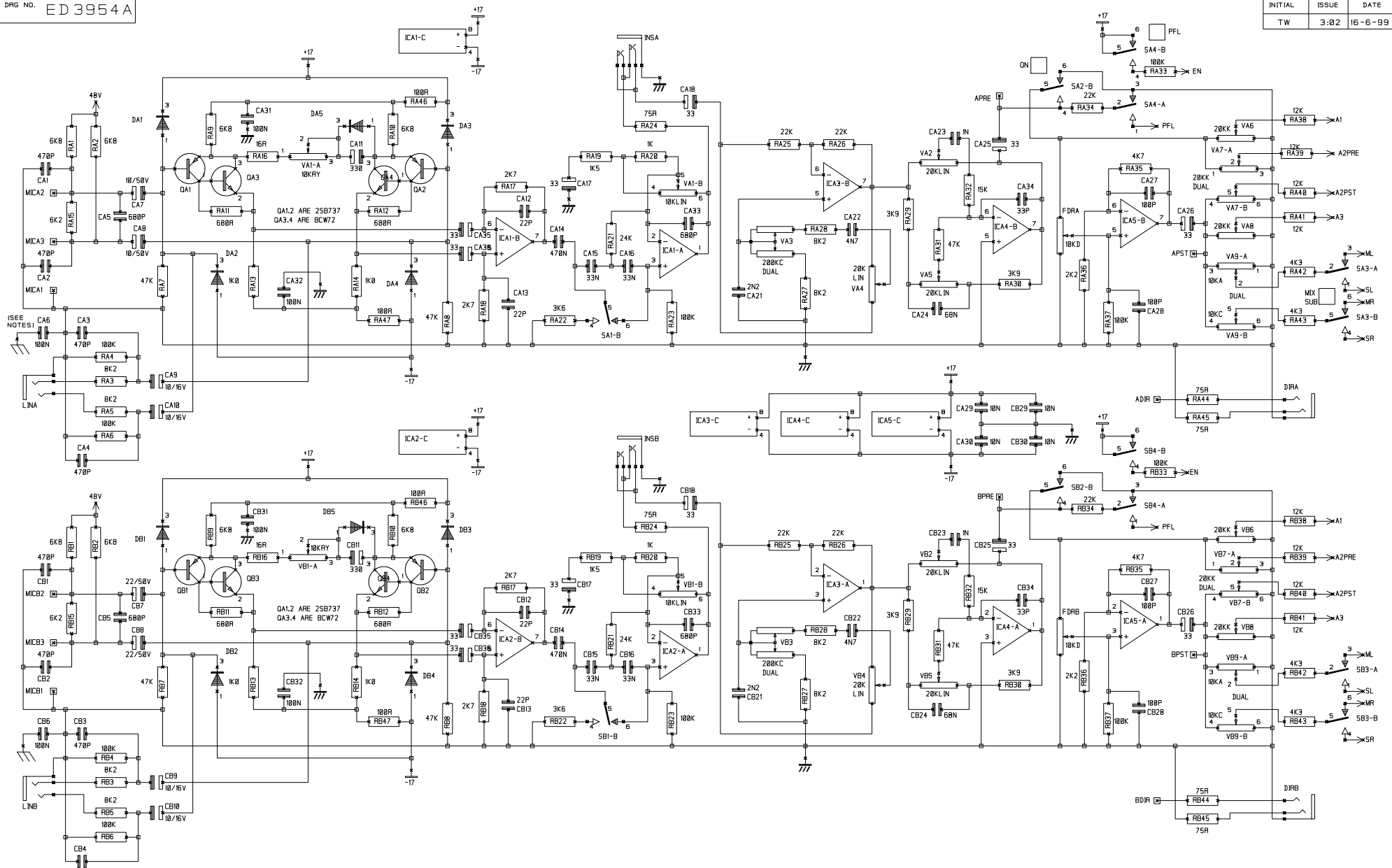
NOTES

DRN. PRH

TITLE

LEXICON EFFECTS PCB

DRG NO. ED3848



CHANNELS A AND B

NOTES

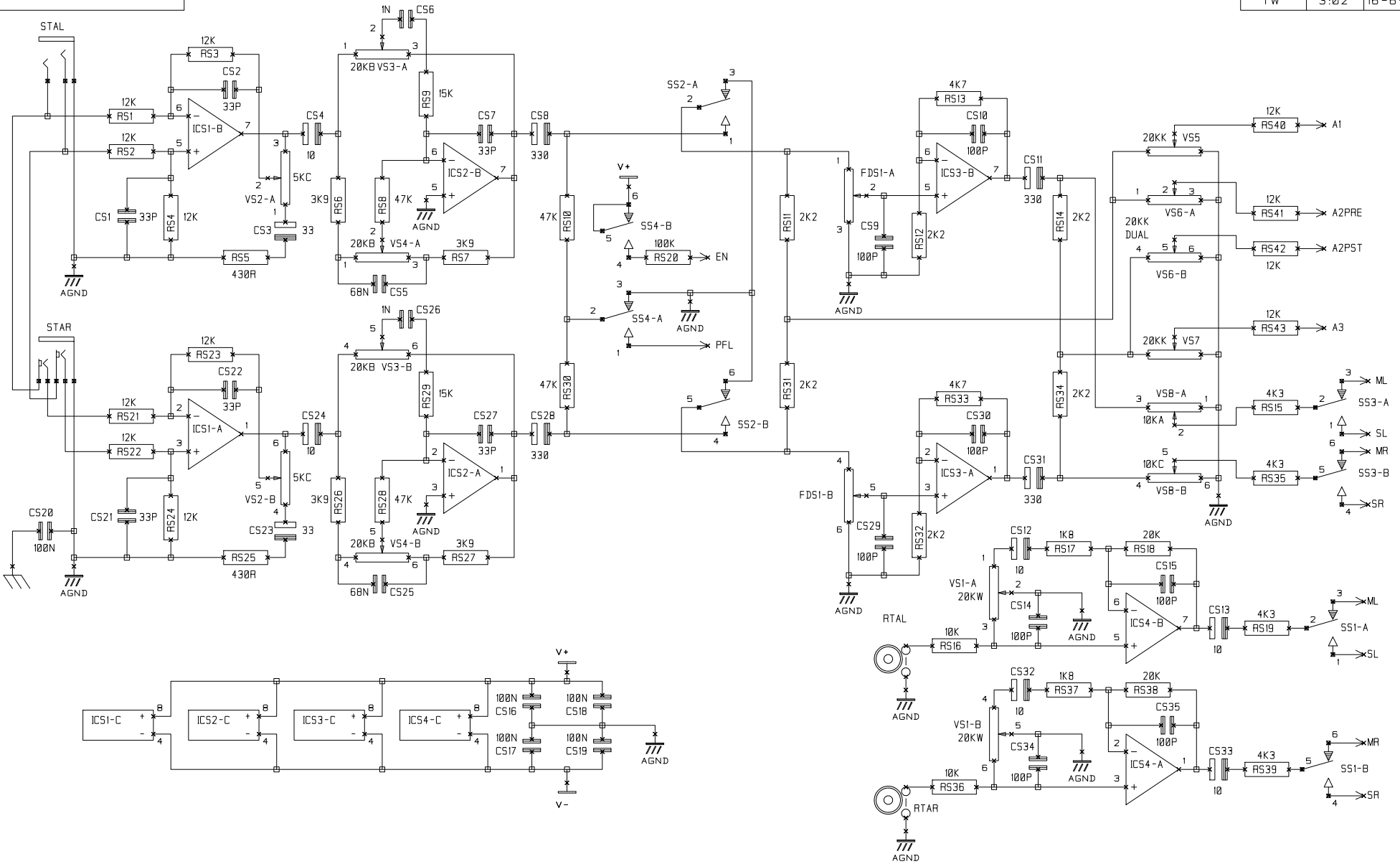
- (1) MONO INPUT CHANNELS A AND B SHOWN CHANNELS C TO H STEP AND REPEATED.
- (2) CAG NOT FITTED - ALSO CC6,CE6 AND CG6 ARE NOT FITTED ON STEP AND REPEATED CHANNELS.

NOTES

DRN. GHB

TITLE SPIRIT F1-8
MONO INPUT

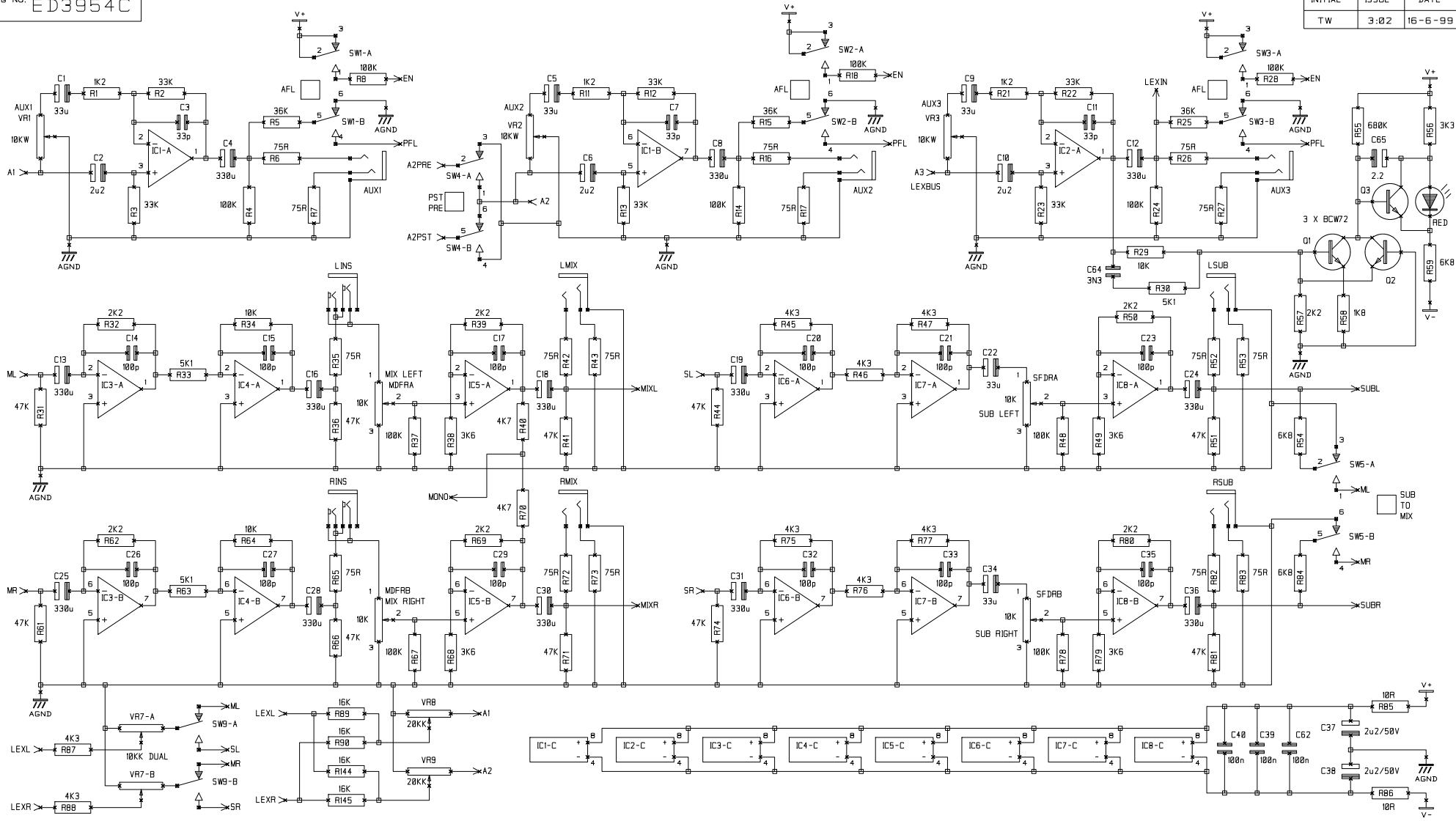
DRG NO. ED 3954 A



NOTES
 (1) STEREO INPUT CHANNEL A SHOWN
 STEREO INPUT CHANNEL B STEP AND REPEATED.

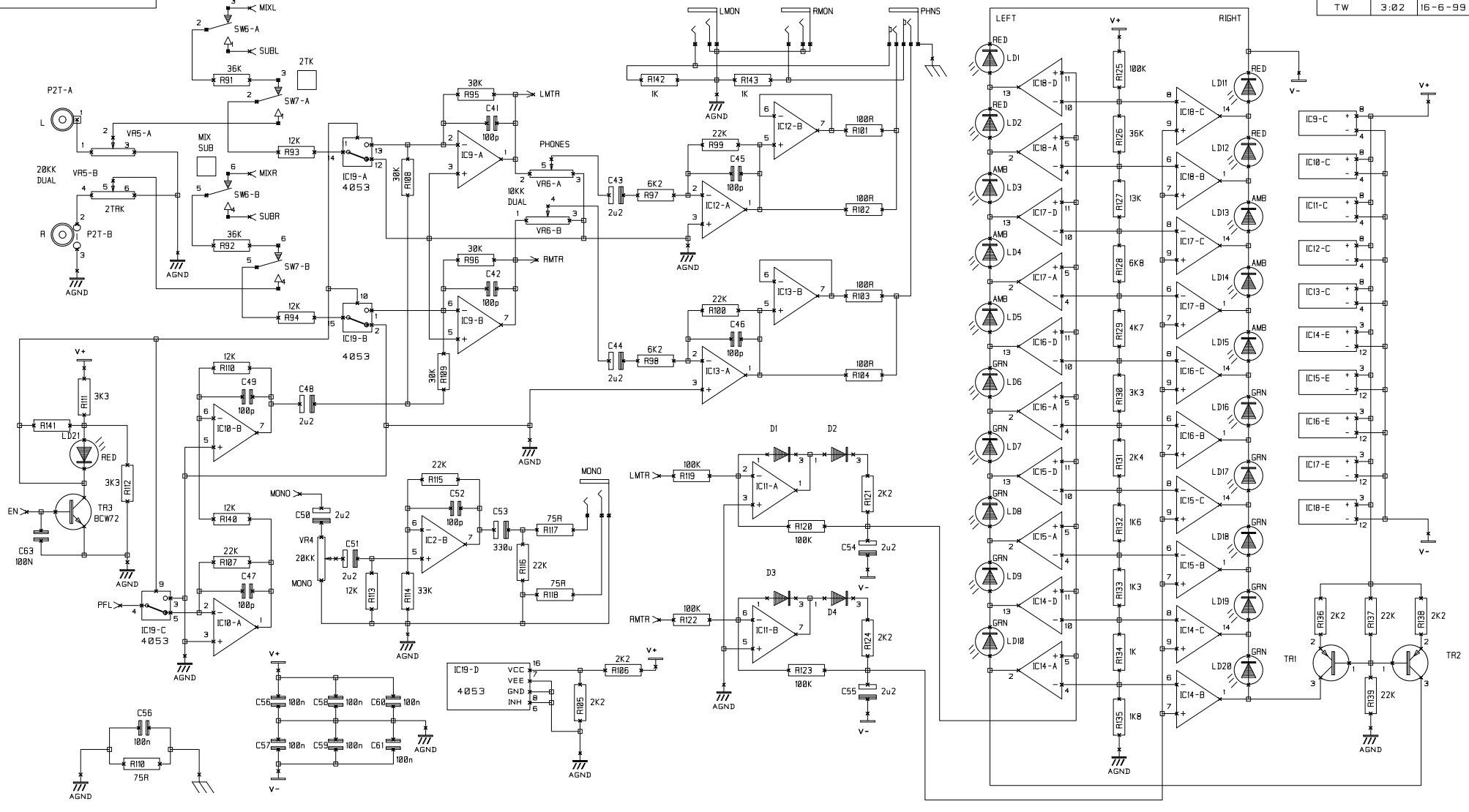
DRN.	GHB	TITLE	SPIRIT F1-8 STEREO INPUT
		DRG NO.	ED3954B

SHT. 2 OF 6



NOTES

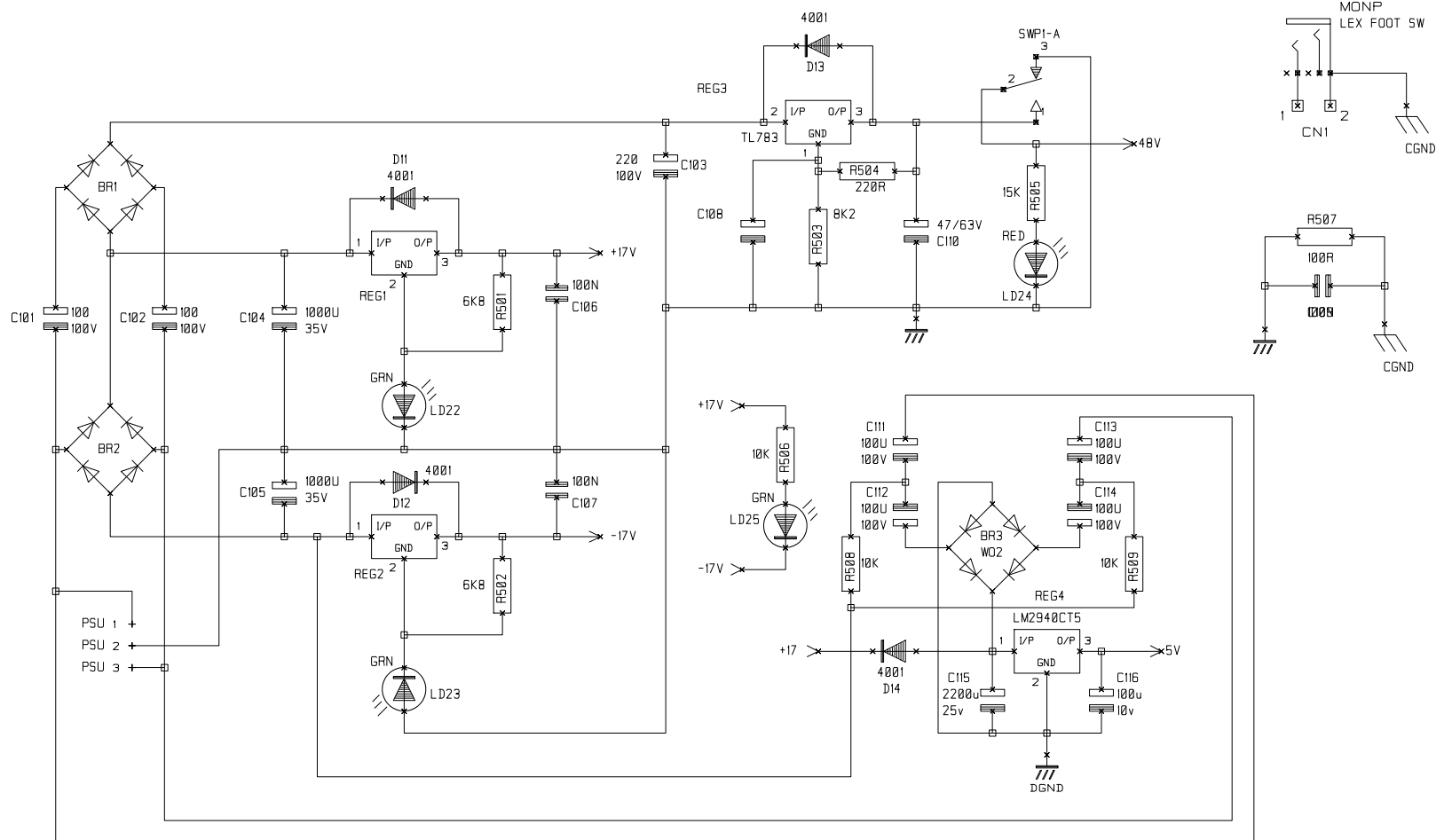
DRN.	GHB	TITLE	SPIRIT F1-8 MASTER SECTION A
		DRG NO.	ED3954C



NOTES

DRN.	GHB	TITLE	SPIRIT F1-8
		TITLE	MASTER SECTION B
		DRG NO.	ED 3954 D

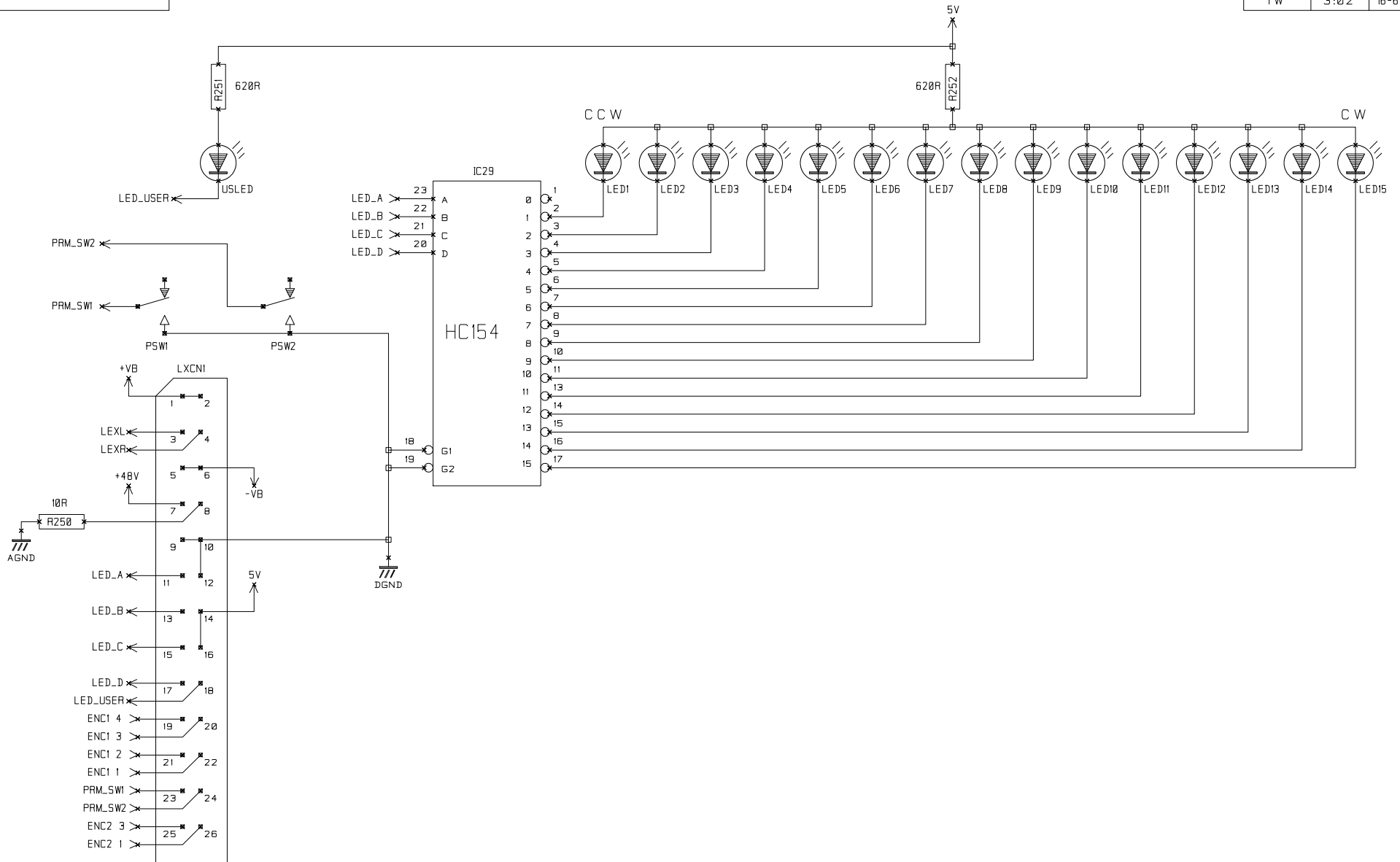
INITIAL	ISSUE	DATE
TW	3:02	16-6-99



NOTES

DRN.	GHB	TITLE	SPIRIT F1-8 PSU
		DRG NO.	ED 3954E
SHT. 5 OF 6			

INITIAL	ISSUE	DATE
TW	3:02	16-6-99



- NOTES
- 1.PARAM SWITCHES PULL UP RES ON LEXICHIP PCB.
 - 2.4 BIT GRAY CODE AND 2 BIT INC ENCODERS NOT SHOWN.
PULL UPS ON LEXICHIP PCB.
 3. +VB AND -VB ARE FROM +17V AND -17V ON PSU.

DRN. GHB

TITLE SPIRIT F1-8
LEXICON INTERFACE

DRG NO. ED3954F